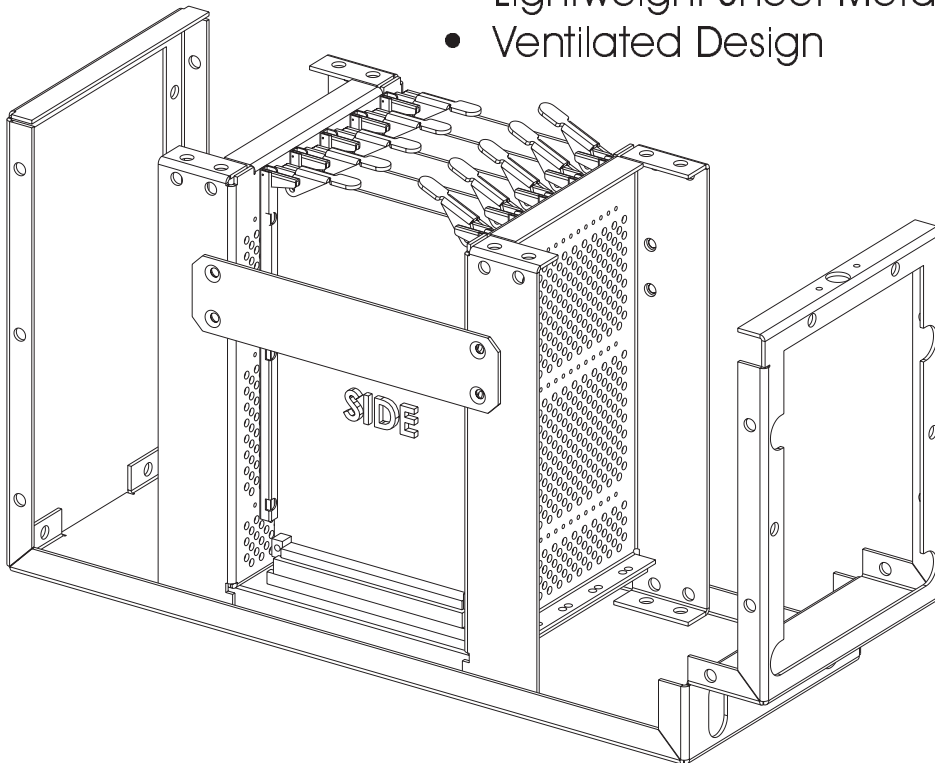


CBC4 Enclosures



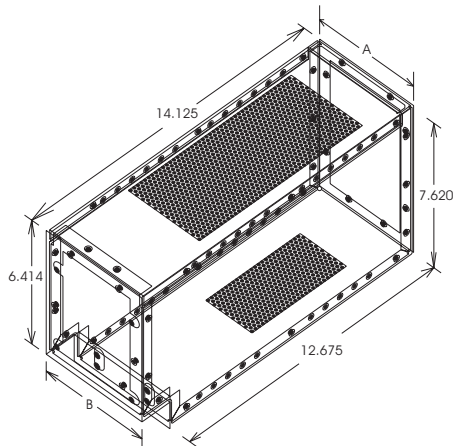
Product Series

- Modular Card Cage for single height Eurocards.
- Card Cage can be moved forward and aft for ease of setup.
- Front Bulkhead (one piece design, .125" aluminum)
- 1/4 ATR thru 1 ATR (per ARINC 404A)
- Removable front, top, side and rear panels
- Easy-open top panel (with single 1/4-turn fastener)
- Lightweight Sheet Metal Construction
- Ventilated Design

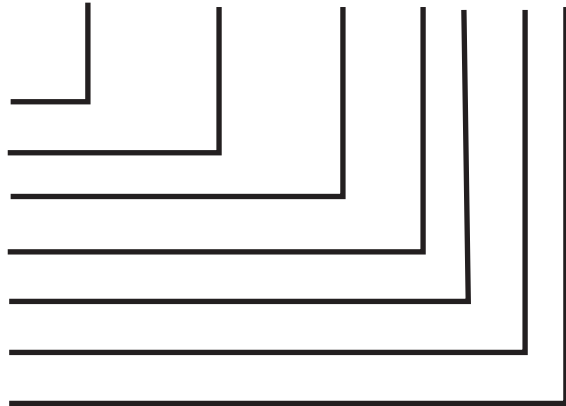


CBC4 Enclosures

Order Code **CBC4-00 00-00-00**



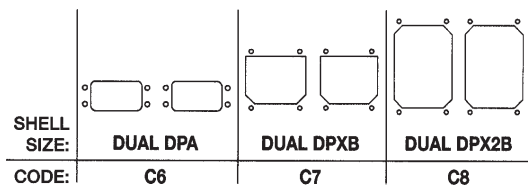
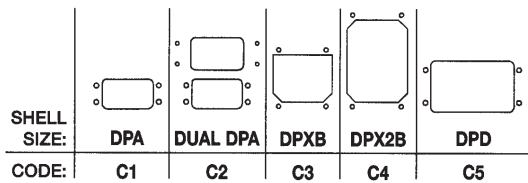
Product Series
ARINC Form Factor
Connector Cut-Out
Front Plate
Finish
Circuit Board Width
Number of Cards



ARINC Factor			
Code	Size	A	B
02	1/4 ATR	2.25"	2.34"
03	3/8 ATR	3.56"	3.65"
04	1/2 ATR	4.88"	4.97"
05	3/4 ATR	7.50"	7.59"
06	1 ATR	10.12"	10.21"

Finish	
CODE	DESCRIPTION
0	None
1	Black Wrinkle
2	Black Polane
3	Orange (Per MIL-STD 595)
00000	Per MIL-STD 595

Connector Cut-Outs



Circuit Board Width

CODE	DESCRIPTION
N	.063"
W	.090"

Front Plate

CODE	DESCRIPTION
B	Blank (Hooks only)
S	Vertical Folding Handles

Number of Cards

To be determined by the ARINC Factor

