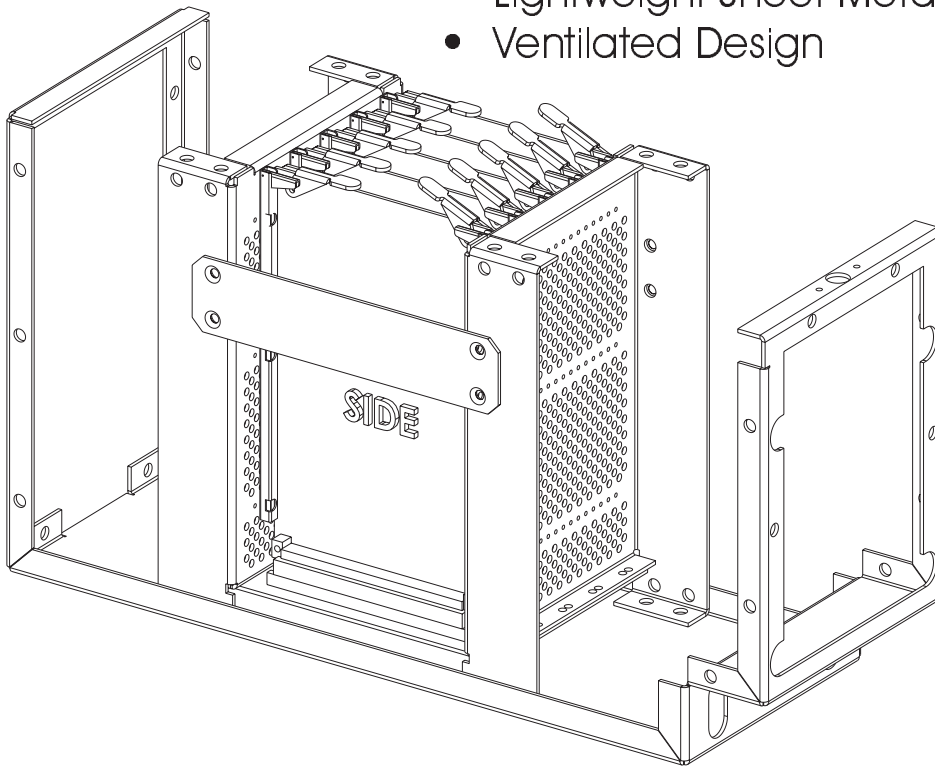


# CBC6 Enclosures



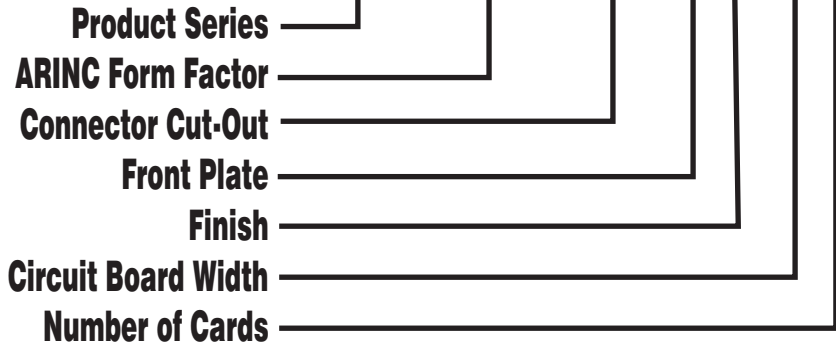
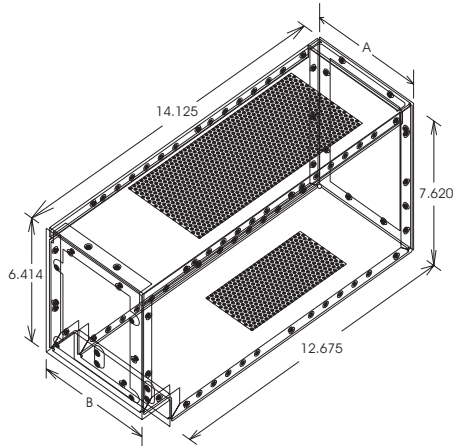
## Product Series

- Modular Card Cage for single height Eurocards.
- Card Cage can be moved forward or aft for ease of setup.
- Front Bulkhead (one piece design, .125" aluminum)
- 2 thru 12 MCU (per ARINC 600)
- Removable front, top, side and rear panels
- Easy-open top panel (with single 1/4-turn fastener)
- Lightweight Sheet Metal Construction
- Ventilated Design



# CBC6 Enclosures

**Order Code** **CBC6-00 00-00-00**



ARINC Factor			
Code	Size	A	B
02	2MCU	2.25"	2.33"
03	3MCU	3.56"	3.64"
04	4MCU	4.88"	4.96"
05	5MCU	6.19"	6.27"
06	6MCU	7.50"	7.58"
07	7MCU	8.79"	8.87"
08	8MCU	10.09"	10.17"
09	9MCU	11.39"	11.47"
10	10MCU	12.69"	12.77"
11	11MCU	13.99"	14.07"
12	12MCU	15.29"	15.37"

## Front Plate

CODE	DESCRIPTION
B	Blank (Hooks only)
S	Vertical Folding Handles

## Finish

CODE	DESCRIPTION
0	None
1	Black Wrinkle
2	Black Polane
3	Orange (Per MIL-STD 595)
00000	Per MIL-STD 595

## Circuit Board Width

CODE	DESCRIPTION
N	.063"
W	.090"

## Number of Cards

To be determined by the ARINC Factor

## Connector Cut-Outs

