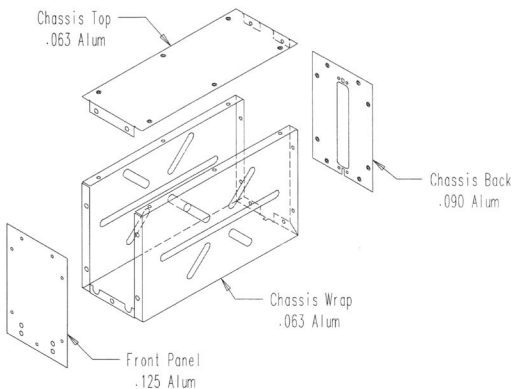
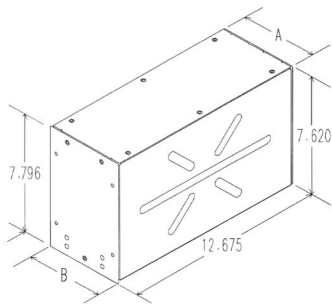




PRODUCT SERIES

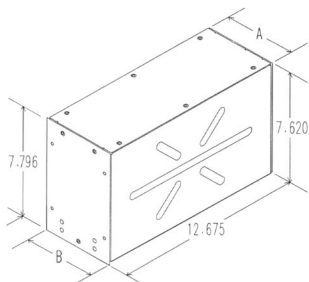
- One piece "chassis wrap" construction (5052 H32 aluminum)
- 1/4 ATR thru 1 ATR (per ARINC 404A)
- Removable front, top and rear panels for easier access and packaging
- Lightweight Sheet Metal Construction
- Unventilated Design
- Embossed Side Panels for added strength



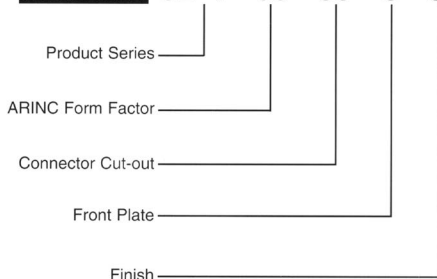
DIMENSIONS

	1/4 ATR	3/8 ATR	1/2 ATR	3/4 ATR	1 ATR
A	2.25 in.	3.56 in.	4.88 in.	7.50 in.	10.12 in.
B	2.34 in.	3.65 in.	4.97 in.	7.59 in.	10.21 in.

CE-4 ENCLOSURES



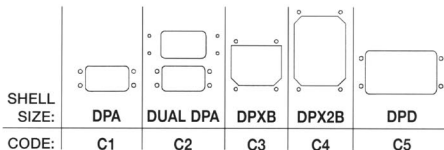
ORDER CODE CE-4 - 00 00 - 0 0



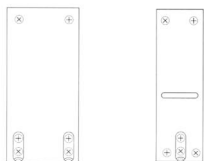
ARINC FACTOR

CODE	SIZE	A	B
02	1/4 ATR	2.25	2.34
03	3/8 ATR	3.56	3.65
04	1/2 ATR	4.88	4.97
05	3/4 ATR	7.50	7.59
06	1 ATR	10.12	10.21

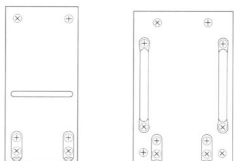
CONNECTOR CUT-OUTS



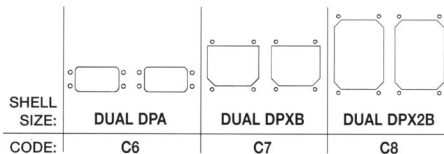
FRONT PLATE



STYLE BLANK (HOOKS ONLY) STANDARD 1/4 ATR
CODE B S



STYLE STANDARD 3/8 ATR STANDARD 1/2 - 1 ATR
CODE S S



FINISH

CODE	DESCRIPTION
0	NONE
1	BLACK WRINKLE
2	BLACK POLANE
3	ORANGE (PER MIL.-STD 595)
00000	PER MIL.-STD 595