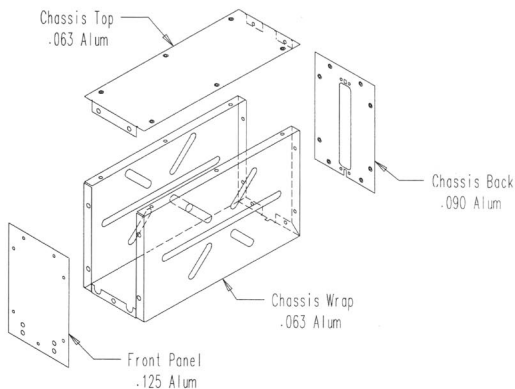
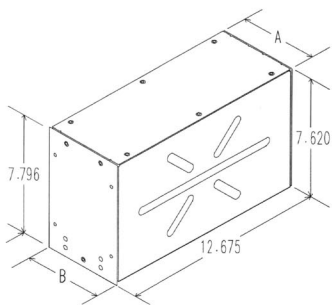


PRODUCT SERIES

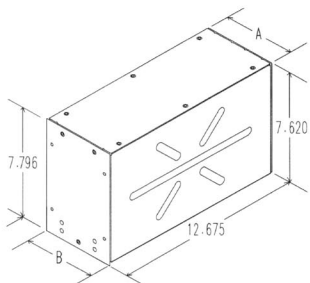
- One piece "chassis wrap" construction (5052 H32 aluminum)
- 2 MCU thru 12 MCU (per ARINC 600)
- Removable front, top and rear panels for easier access and packaging
- Lightweight Sheet Metal Construction
- Unventilated Design
- Embossed Side Panels for added strength



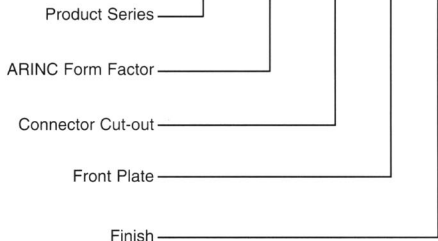
DIMENSIONS

	2MCU	3MCU	4MCU	5MCU	6MCU	7MCU	8MCU	9MCU	10MCU	11MCU	12MCU
A	2.25 in.	3.56 in.	4.88 in.	6.19 in.	7.50 in.	8.79 in.	10.09 in.	11.39 in.	12.69 in.	13.99 in.	15.29 in.
B	2.33 in.	3.64 in.	4.96 in.	6.27 in.	7.58 in.	8.87 in.	10.17 in.	11.47 in.	12.77 in.	14.07 in.	15.37 in.

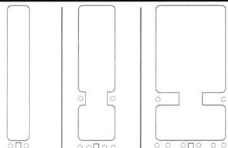
CE-6 ENCLOSURES



ORDER CODE CE-6 - 00 00 - 0 0



CONNECTOR CUT-OUTS

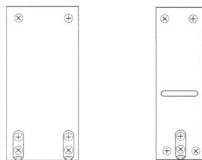


SHELL SIZE:	1	2	3
CODE:	C1	C2	C3

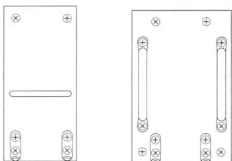
ARINC FACTOR

CODE	SIZE	A	B
02	2MCU	2.25 in.	2.33 in.
03	3MCU	3.56 in.	3.64 in.
04	4MCU	4.88 in.	4.96 in.
05	5MCU	6.19 in.	6.27 in.
06	6MCU	7.50 in.	7.58 in.
07	7MCU	8.79 in.	8.87 in.
08	8MCU	10.09 in.	10.17 in.
09	9MCU	11.39 in.	11.47 in.
10	10MCU	12.69 in.	12.77 in.
11	11MCU	13.99 in.	14.07 in.
12	12MCU	15.29 in.	15.37 in.

FRONT PLATE



STYLE	BLANK (HOOKS ONLY)	STANDARD 2 MCU
CODE	B	S



STYLE	STANDARD 3 MCU	STANDARD 4-12 MCU
CODE	S	S

FINISH

CODE	DESCRIPTION
0	NONE
1	BLACK WRINKLE
2	BLACK POLANE
3	ORANGE (PER MIL.-STD 595)
0000	PER MIL.-STD 595