

CB-Series ARINC 404A Enclosure

- 1/4 thru 1 ATR (per ARINC 404A)
- Lightweight aluminum construction (5052 H32)
- Ventilated design for convection cooling
- Removable top cover (Dzus fastner) for equipment mounting
- Integrated front panel with fixed handles and mounting hooks
- Suitable for airborne electronics, high tolerance product
- Removable front and rear panels for easy access
- Front “doghouse” for additional equipment mounting
- Stock, stock-to-build availability

Churchill Corporation, Inc.
344 Franklin St.
PO Box 761038
Melrose, MA 02176-0907

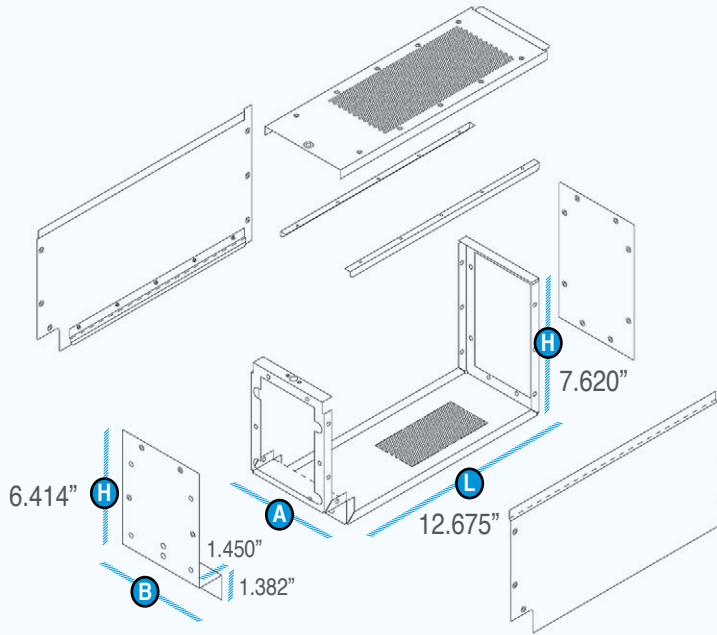
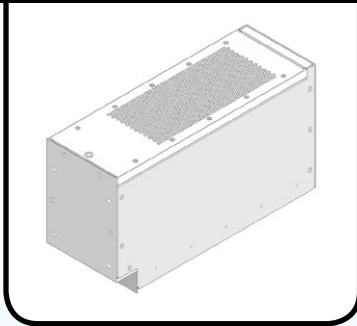
Tel: 781-665-4700

Toll Free 1-800-225-3932

Fax: 781-662-5291

sales@atrbox.com

www.atrbox.com

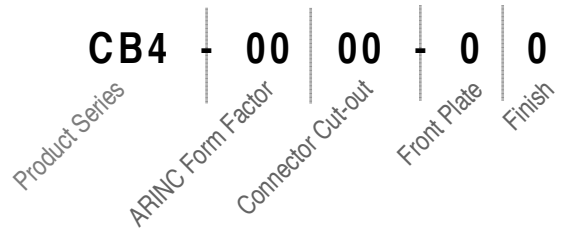


Part	Material
Chassis Wrap	.063" Alum
Chassis Top	.063" Alum
Chassis Back	.080" Alum
Front Panel	.125" Alum
Chassis Sides	.080 Alum
Brackets	.063 Alum

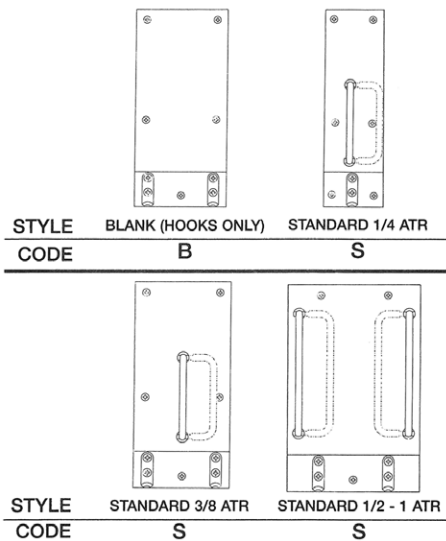
DIMENSIONS / FORM FACTOR

SIZE	1/4 ATR	3/8 ATR	1/2 ATR	3/4 ATR	1 ATR
Code	02	03	04	05	06
A	2.25"	3.56"	4.88"	7.50"	10.12"
B	2.34"	3.65"	4.97"	7.59"	10.21"

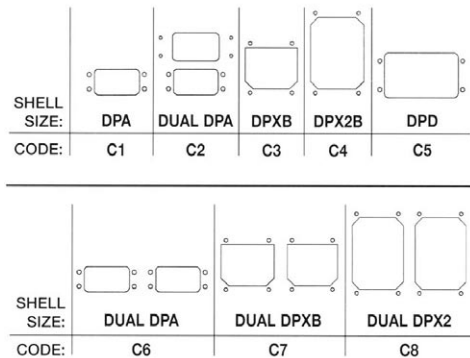
ORDER CODE



FRONT PLATE



CONNECTOR CUT-OUTS



FINISH

CODE	DESCRIPTION
0	None
1	Black Wrinkle
2	Black Polane
3	Orange (Per MIL-STD 595)
00000	Per MIL-STD 595