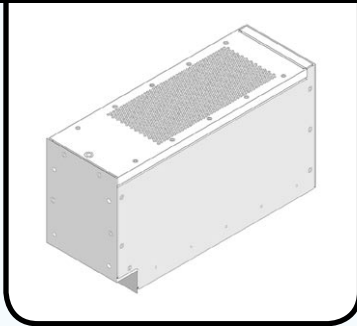


CBC-Series ARINC 404A Enclosure

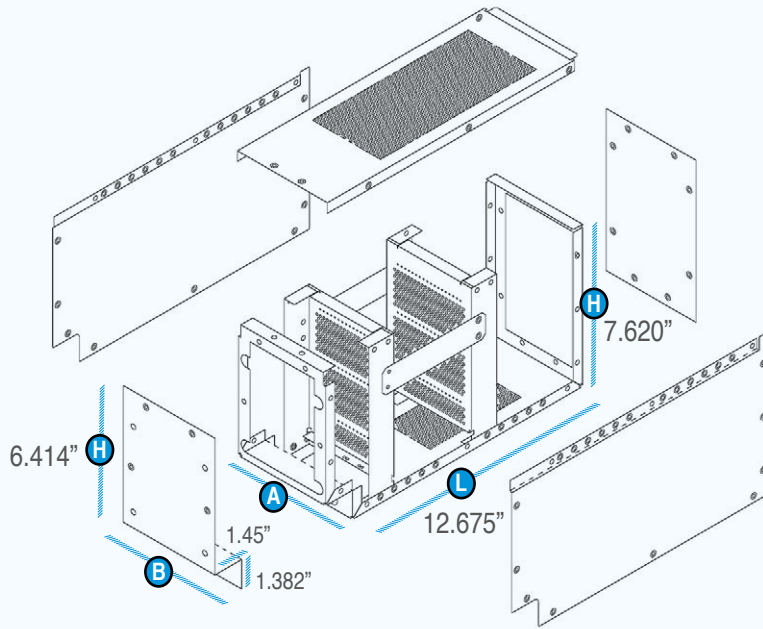
- 1/4 thru 1 ATR (per ARINC 404A)
- Modular card cage for 3U & 6U Eurocards
- Card cage can be moved forward or aft for ease of setup
- Front bulkhead (one piece design, .125" aluminum)
- Removable front, top, side and rear panels
- Easy-open top panel (with single 1/4-turn fastener)
- Lightweight sheet metal construction
- Front "doghouse" for additional equipment mounting
- Ventilated design

Churchill Corporation, Inc.
344 Franklin St.
PO Box 761038
Melrose, MA 02176-0907

Tel: 781-665-4700
Toll Free 1-800-225-3932
Fax: 781-662-5291
sales@atrbox.com
www.atrbox.com



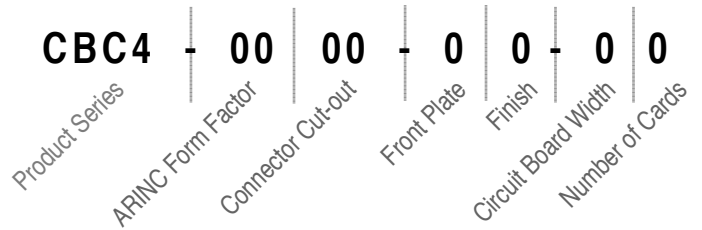
Part	Material
Chassis Wrap	.063" Alum
Chassis Top	.063" Alum
Chassis Back	.080" Alum
Front Panel	.125" Alum
Chassis Sides	.080 Alum



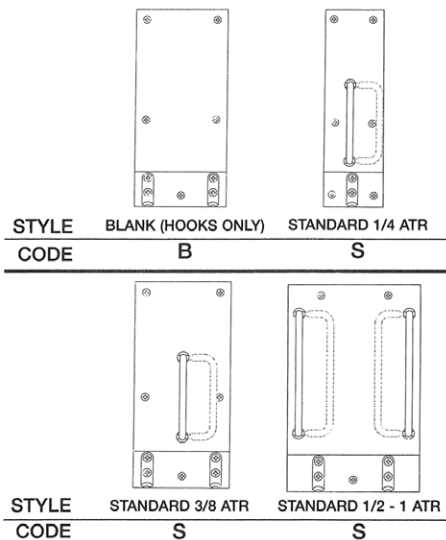
DIMENSIONS / FORM FACTOR

SIZE	1/4 ATR	3/8 ATR	1/2 ATR	3/4 ATR	1 ATR
Code	02	03	04	05	06
A	2.25"	3.56"	4.88"	7.50"	10.12"
B	2.34"	3.65"	4.97"	7.59"	10.21"

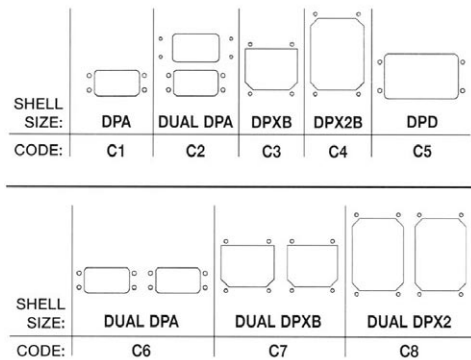
ORDER CODE



FRONT PLATE



CONNECTOR CUT-OUTS



FINISH

- 0 None
- 1 Black Wrinkle
- 2 Black Polane
- 3 Orange (Per MIL-STD 595)
- 00000 Per MIL-STD 595

CIRCUIT BOARD WIDTH

Code	Description
N	.063"
W	.090"

NUMBER OF CARDS

To be determined by the ARINC Factor