

## CBC-Series ARINC 600 Enclosure

- 2 thru 12 MCU (per ARINC 600)
- Modular card cage for 3U & 6U Eurocards
- Card cage can be moved forward or aft for ease of setup
- Front bulkhead (one piece design, .125" aluminum)
- Removable front, top, side and rear panels
- Easy-open top panel (with single 1/4-turn fastener)
- Lightweight sheet metal construction
- Front "doghouse" for additional equipment mounting
- Ventilated design

Churchill Corporation, Inc.  
344 Franklin St.  
PO Box 761038  
Melrose, MA 02176-0907

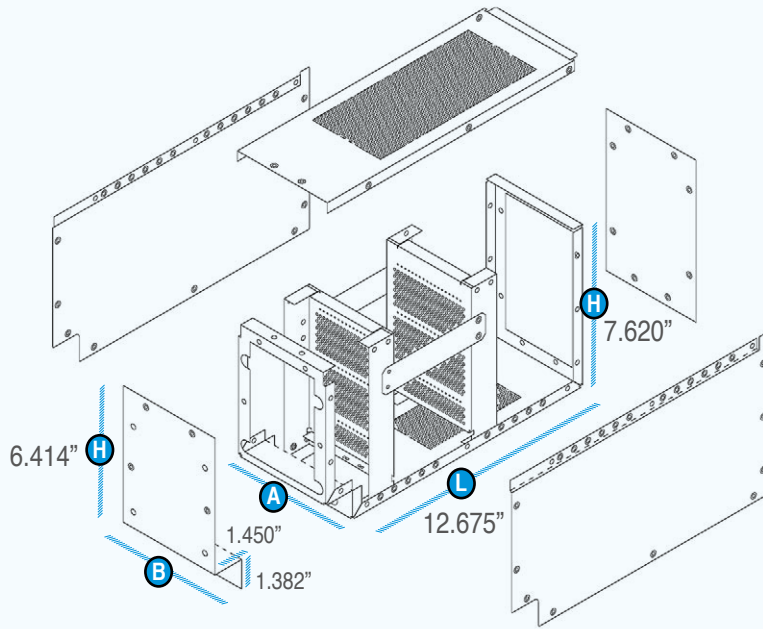
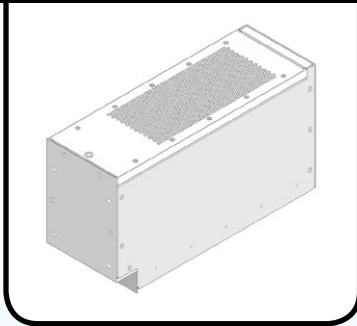
Tel: 781-665-4700

Toll Free 1-800-225-3932

Fax: 781-662-5291

sales@atrbox.com

www.atrbox.com

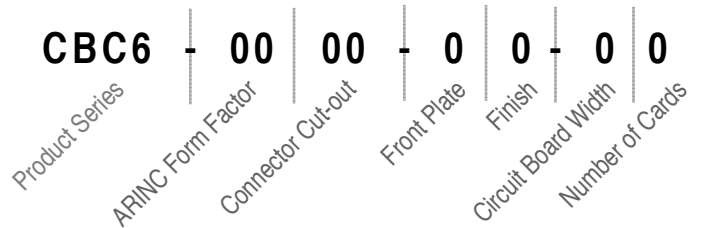


Part	Material
Chassis Wrap	.063" Alum
Chassis Top	.063" Alum
Chassis Back	.080" Alum
Front Panel	.125" Alum
Chassis Sides	.080 Alum

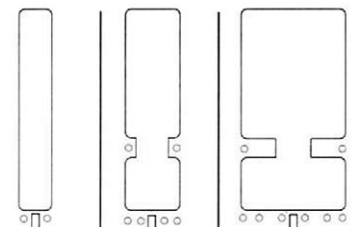
**DIMENSIONS / FORM FACTOR**

SIZE	2MCU	3MCU	4MCU	5MCU	6MCU	7MCU
Code	02	03	04	05	06	07
<b>A</b>	2.25"	3.56"	4.88"	6.19"	7.50"	8.79"
<b>B</b>	2.33"	3.64"	4.96"	6.27"	7.58"	8.87"
SIZE	8MCU	9MCU	10MCU	11MCU	12MCU	
Code	08	09	10	11	12	
<b>A</b>	10.09"	11.39"	12.69"	13.99"	15.29"	
<b>B</b>	10.17"	11.47"	12.77"	14.07"	15.37"	

**ORDER CODE**

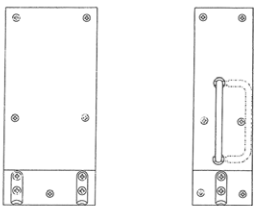


**CONNECTOR CUT-OUTS**

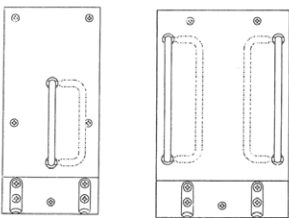


SHELL SIZE:	1	2	3
CODE:	<b>C1</b>	<b>C2</b>	<b>C3</b>

**FRONT PLATE**



STYLE STANDARD (HOOKS ONLY) STANDARD 2 MCU  
CODE **B** **S**



STYLE STANDARD 3 MCU STANDARD 4-12 MCU  
CODE **S** **S**

**FINISH**

- 0 - None
- 1 - Black Wrinkle
- 2 - Black Polane
- 3 - Orange (Per MIL-STD 595)
- 00000 - Per MIL-STD 595

**CIRCUIT BOARD WIDTH**

Code	Description
N	.063"
W	.090"

**NUMBER OF CARDS**

To be determined by the ARINC Factor