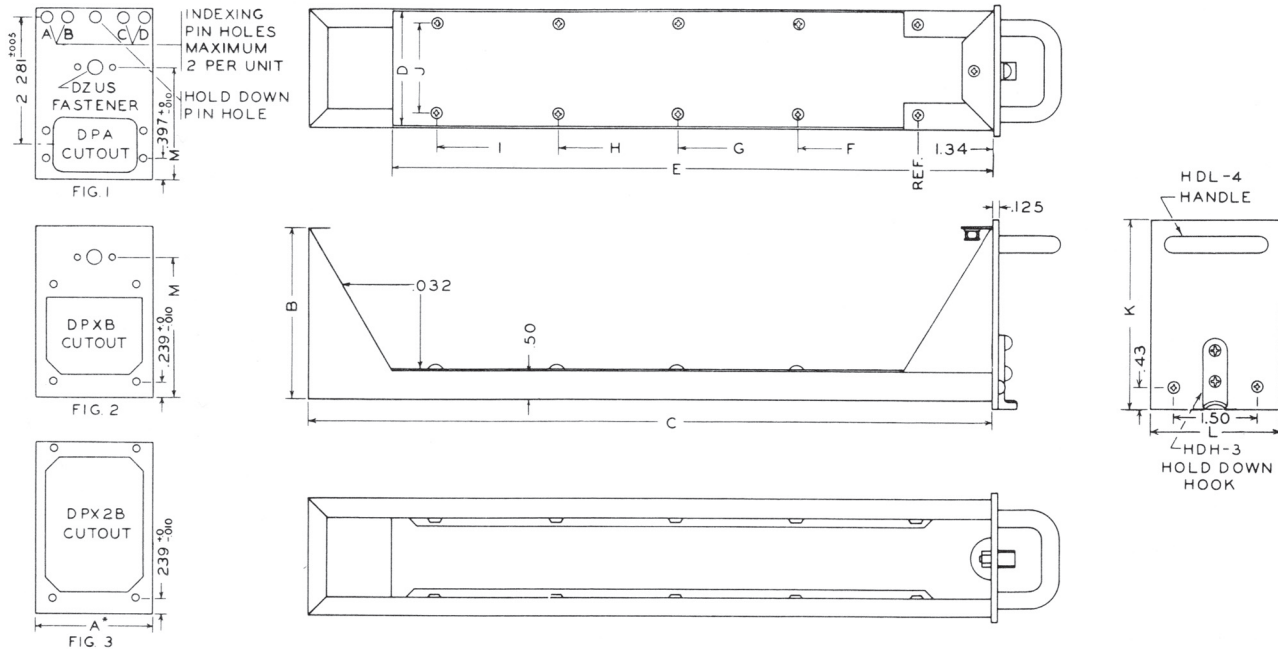


# Dwarf 1/4 ATR Chassis

344 Franklin St. • PO Box 761038 • Melrose, MA 02176-0907 • Tel: 781-665-4700 • Toll Free 1-877-390-3932 • Fax: 781-662-5291 • sales@atrbox.com • www.atrbox.com



DWARF 1/4 ATR CHASSIS

Catalog No.	Part of ARINC Designation DWARF	Connector		Chassis			Deck Plate							Front Panel			Weight	
				W	H	L	W	L	F	G	H	I	J	K	L	M		
				A	B	C	D	E	F	G	H	I	J	K	L	M	Lbs	Oz
C-SH111	Short 1/4 ATR	DPA	1	±0.16	±0.16	±0.16	±0.16	±0.16	±0.10	±0.10	±0.10	±0.10	±0.16	±0.16	±0.16	0	7	
C-LH111	Long 1/4 ATR	DPA	1	±0.16	±0.16	±0.16	±0.16	±0.16	±0.10	±0.10	±0.10	±0.10	±0.16	±0.16	±0.16	0	9	
C-SH131	Short 1/4 ATR	DPXB	2	±0.16	±0.16	±0.16	±0.16	±0.16	±0.10	±0.10	±0.10	±0.10	±0.16	±0.16	±0.16	0	7	
C-LH131	Long 1/4 ATR	DPXB	2	±0.16	±0.16	±0.16	±0.16	±0.16	±0.10	±0.10	±0.10	±0.10	±0.16	±0.16	±0.16	0	9	
C-SH132	Short 1/4 ATR	DPX2B	3	±0.16	±0.16	±0.16	±0.16	±0.16	±0.10	±0.10	±0.10	±0.10	±0.16	±0.16	±0.16	0	6	
C-LH132	Long 1/4 ATR	DPX2B	3	±0.16	±0.16	±0.16	±0.16	±0.16	±0.10	±0.10	±0.10	±0.10	±0.16	±0.16	±0.16	0	8	

If Indexing Holes are desired (see fig. 1) add required letters A thru D to end of catalog number  
 For complete Case (chassis and dust cover assembly) omit (C-) from catalog number \* % width available